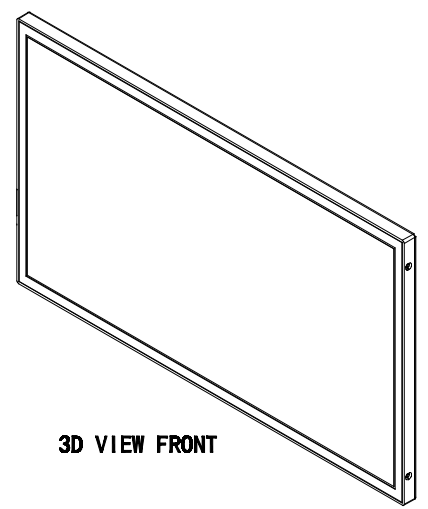
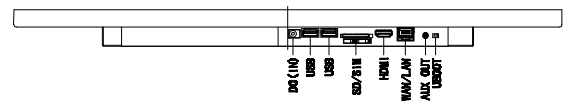
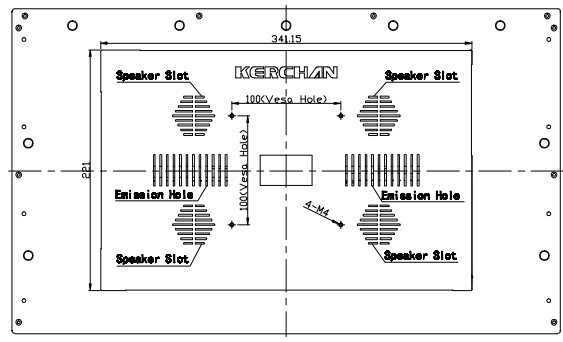
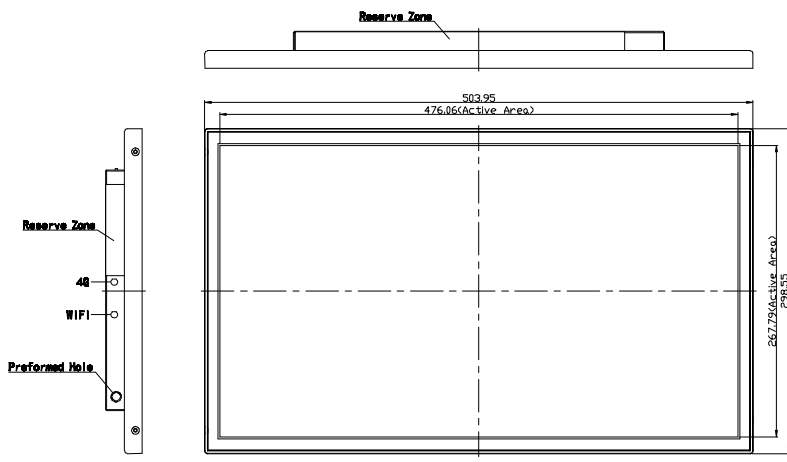
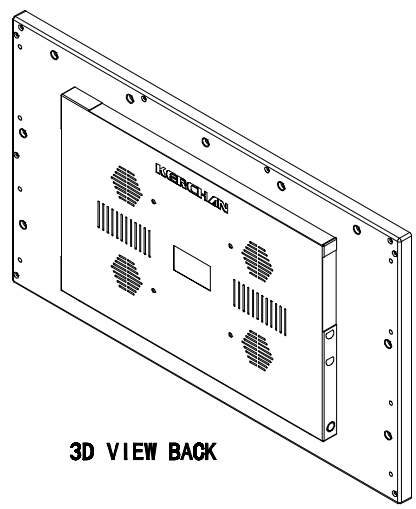


Grade			✓
	A	B	C
0-50	±0.05	±0.10	±0.15
>50-100	±0.10	±0.15	±0.20
>100-150	±0.15	±0.20	±0.50
>150-200	±0.20	±0.30	±0.80
>200-300	±0.25	±0.50	±1.20
>300-500	±0.30	±0.80	±2.0
>500	±0.50	±1.20	±3.0



3D VIEW FRONT



3D VIEW BACK

Note:  
 1、The product is 21.5 inch adversting machine;  
 2、The shell material of the product is plastic.

**KERCHAN**  
 Professional Innovation  
 Kerchan Technology Group Limited

更改说明及标注 Description				版本号 Rev	单位 Unit	比例 Scale	图号 Drawing No.
设计 Designed By				ECN号 ECN No.	MM	1:1	SAD2150S
审核 Checked By				签名 Signed	第 1 页 共 1 页 Sheet 1 of 1		物料编码 Material No.
批准 Approved By				日期 Date	图形识别符号 Graphic identification symbols		名称 Name:
20200220							XXXXXX
							21.5 inch adversting product drawing(DS-830)