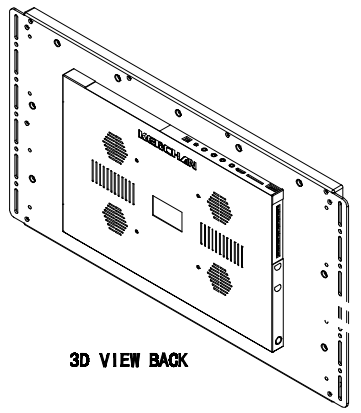
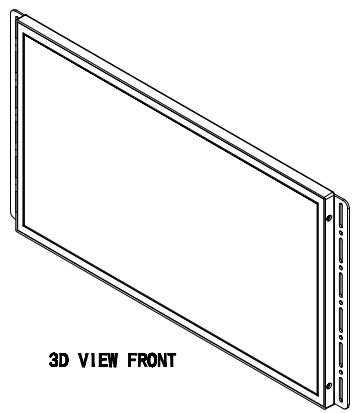
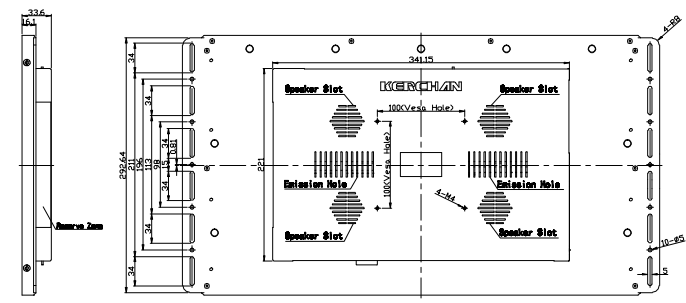
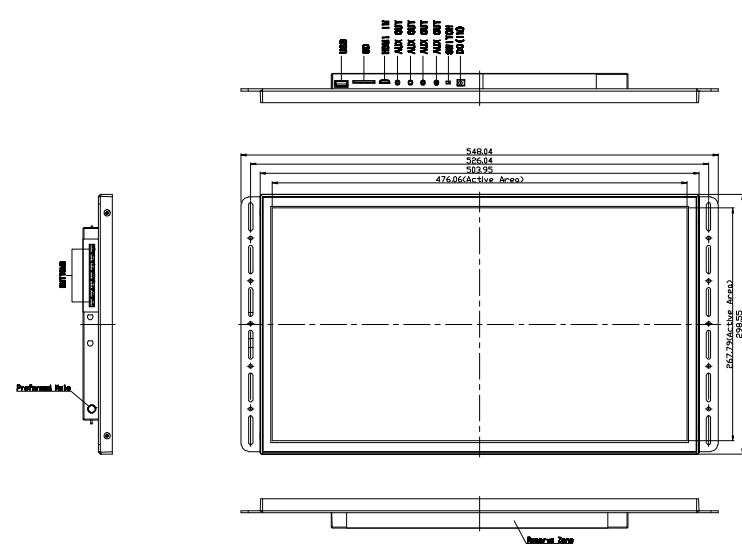


Grade	✓		
	A	B	C
0-50	±0.05	±0.10	±0.15
>50-100	±0.10	±0.15	±0.20
>100-150	±0.15	±0.20	±0.50
>150-200	±0.20	±0.30	±0.80
>200-300	±0.25	±0.50	±1.20
>300-500	±0.30	±0.80	±2.0
>500以上	±0.50	±1.20	±3.0



NOTE:
 1、 This product is 21.5 inch advertising machine;
 2、 The shell material of the product is plastic.

更改说明及标注 Description	ECN号 ECN No.	签名 Signed	日期 Date
设计 Designed By	90E	日期 Date	20200219
审核 Checked By		日期 Date	
批准 Approved By		日期 Date	

版本号 Rev	单位 Unit	比例 Scale
A/0	MM	1:1

图号 Drawing No.	SAD2150KH-00
物料编码 Material No.	XXXXXXXX
名称 Name:	21.5 inch advertising product drawing(YF-V56)

KERCHAN
 Professional Innovation
 Kerchan Technology Group Limited

