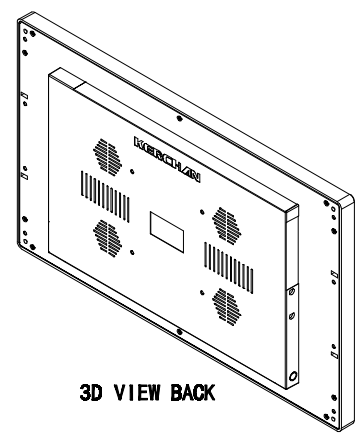
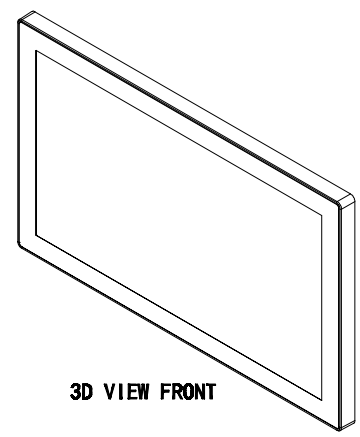
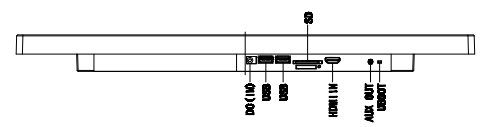
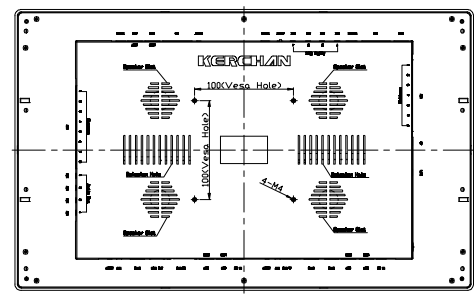
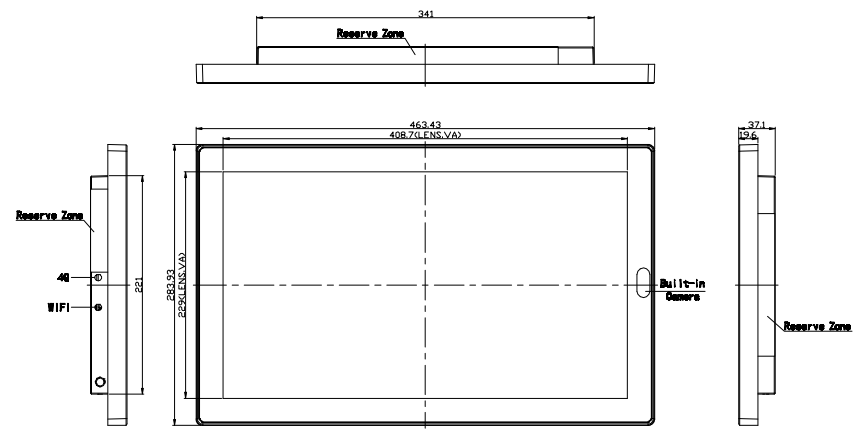


| Grade Size | A | | |
|---------------|-------|-------|-------|
| | A | B | C |
| 0-50 | ±0.05 | ±0.10 | ±0.15 |
| >50-100 | ±0.10 | ±0.15 | ±0.20 |
| >100-150 | ±0.15 | ±0.20 | ±0.50 |
| >150-200 | ±0.20 | ±0.30 | ±0.80 |
| >200-300 | ±0.25 | ±0.50 | ±1.20 |
| >300-500 | ±0.30 | ±0.80 | ±2.0 |
| >500 | ±0.50 | ±1.20 | ±3.0 |



NOTE:
 1、This product is 18.5 inch advertising machine;
 2、The shell material of the product is plastic.

KERCHAN
 Professional Innovation
 Kerchan Technology Group Limited

图号: SAD1850SD-00
 物料编码: xxxxxxxx
 名称: 18.5 inch advertising product drawing (YF-066G)

| 更改说明及标注 Description | ECN号 ECN No. | 签名 Signed | 日期 Date | 版本号 Rev | 单位 Unit | 比例 Scale | 图号 Drawing No. |
|------------------------|-----------------|--------------|------------|--|------------|-------------|----------------------|
| 设计 Designed By | 90E | | 20200220 | A/0 | MM | 1:1 | SAD1850SD-00 |
| 审核 Checked By | | | | 第 1 页 共 1 页 Sheet 1 of 1 | | | 物料编码 Material No. |
| 批准 Approved By | | | | 图形识别符号 Graphic identification symbols | | | 名称 Name: |