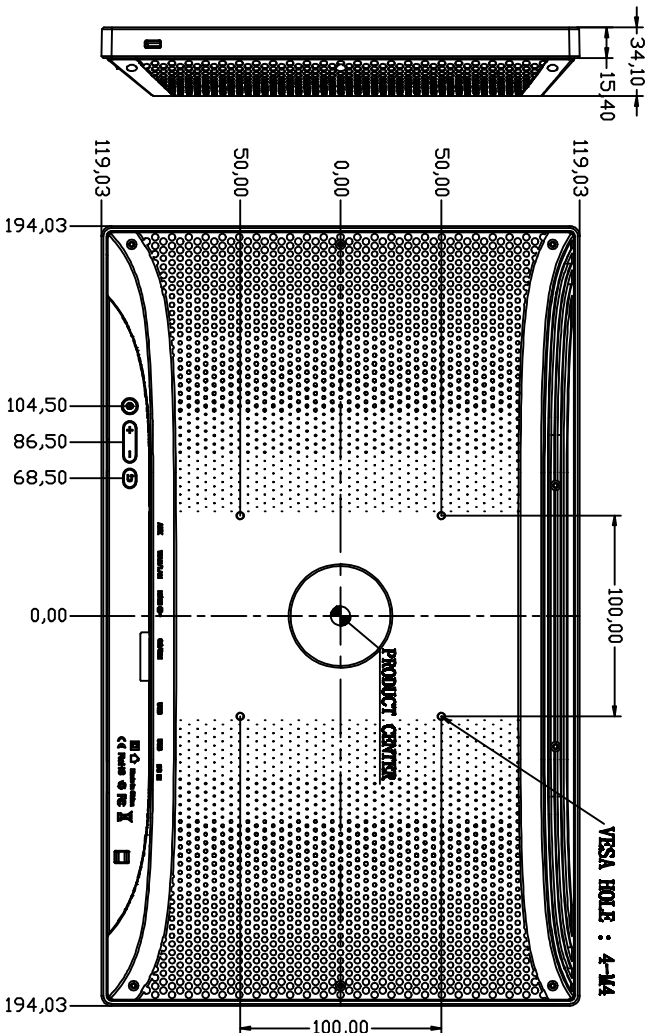
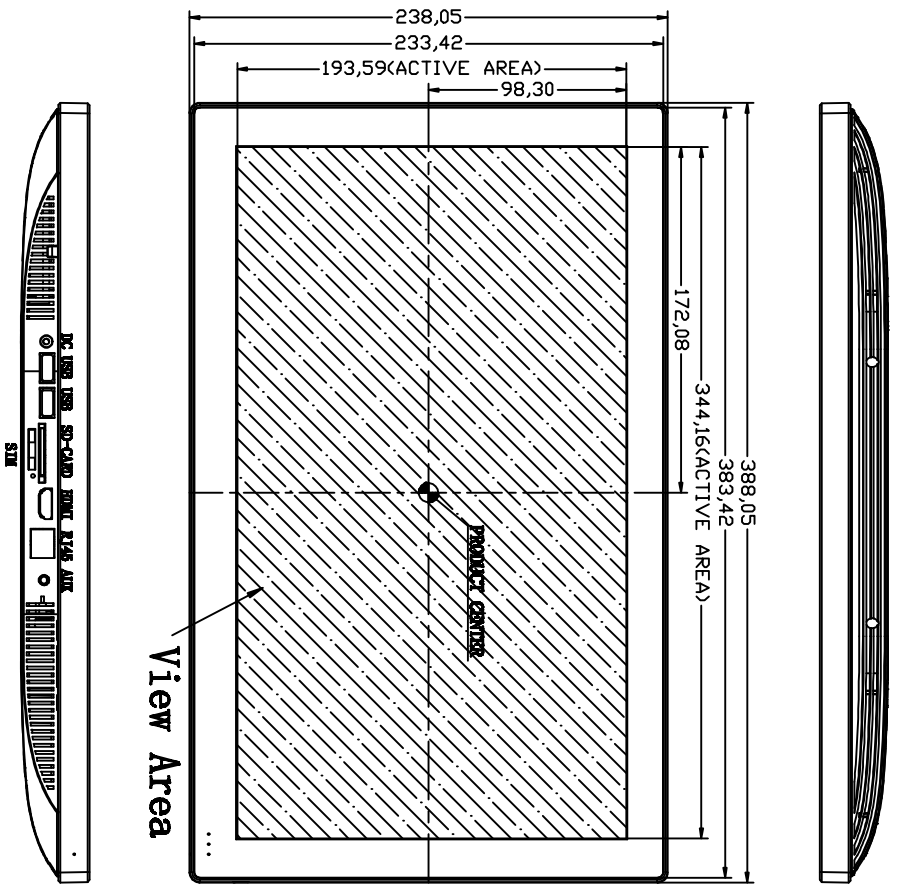


Notice:
Screen AA area error within 1.5mm is allowed



更改说明及标注 Description	RCN No.	签名 Signed	日期 Date
设计 Designed By	Rooney		20171129
审核 Checked By			
批准 Approved By			

版本号 Rev	单位 Unit	比例 Scale
A/0	MM	1:1
第 1 页 共 1 页 Sheet 1 of 1	图形识别符号 Graphic identification symbols	

KERCHAN
Professional Innovation
Kerchan Technology Group Limited

图号
Drawing No.
物料编号
Material No. xxxxxxxx
名称
Name:
SAD1560S Product Drawing