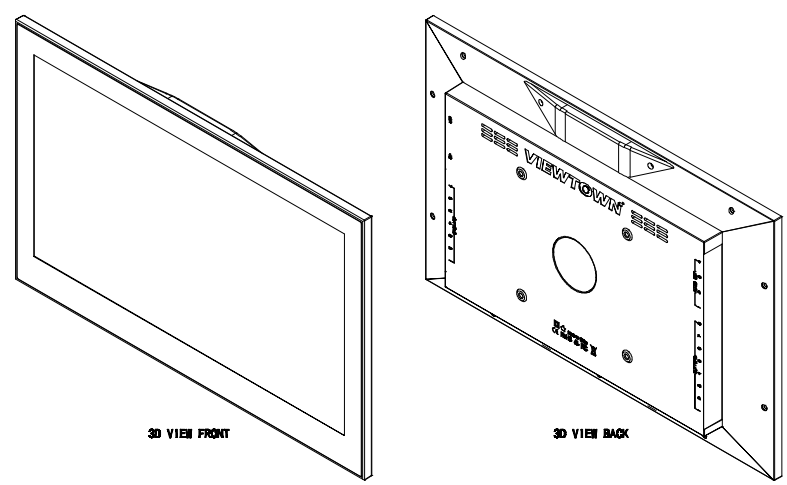
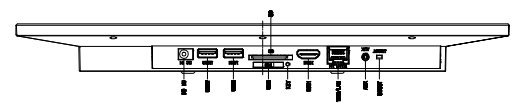
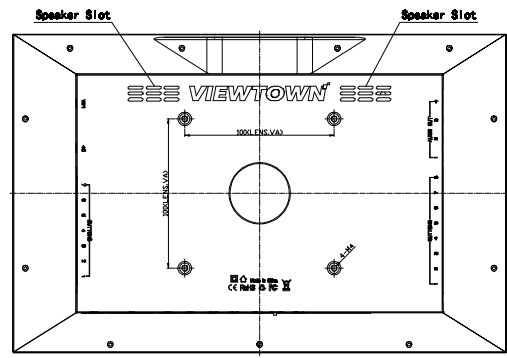
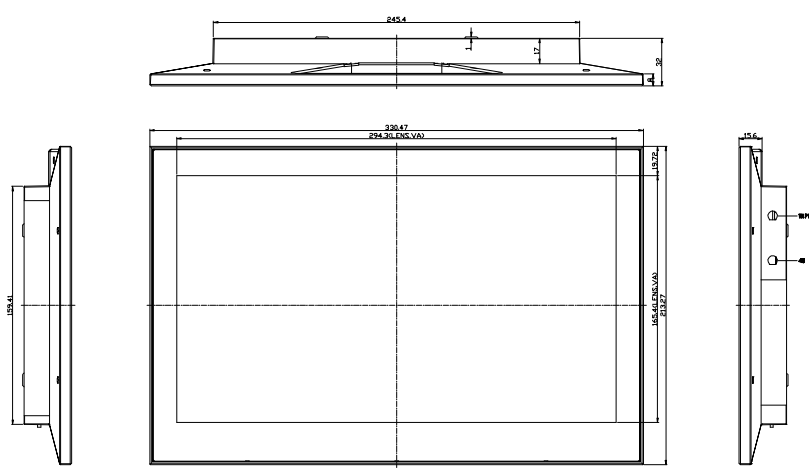


| Size | Grade | | |
|----------|-------|-------|-------|
| | A | B | C |
| 0-80 | ±0.05 | ±0.10 | ±0.15 |
| >80-100 | ±0.10 | ±0.15 | ±0.20 |
| >100-150 | ±0.15 | ±0.20 | ±0.30 |
| >150-200 | ±0.20 | ±0.30 | ±0.40 |
| >200-300 | ±0.25 | ±0.40 | ±0.50 |
| >300-500 | ±0.30 | ±0.50 | ±0.60 |
| >500以上 | ±0.50 | ±1.20 | ±2.0 |



NOTE:
1、This product is 13.3 inch advertising machine.

KERCHAN
Professional Innovation
Kerchan Technology Group Limited

图号: SAD1330S-00
物料编码: XXXXXXXX
名称: 13.3 inch advertisting product drawing (DS-830)

| 更改说明及标注 Description | ECN号 ECN No. | 签名 Signed | 日期 Date | 版本号 Rev | 单位 Unit | 比例 Scale |
|------------------------|-----------------|--------------|------------|--|------------|-------------|
| 设计 Designed By | | 日期 Date | 20200119 | A/0 | MM | 1:1 |
| 审核 Checked By | | 日期 Date | | 第 1 页 共 1 页 Sheet 1 of 1 | | |
| 批准 Approved By | | 日期 Date | | 图形识别符号 Graphic identification symbols | | |