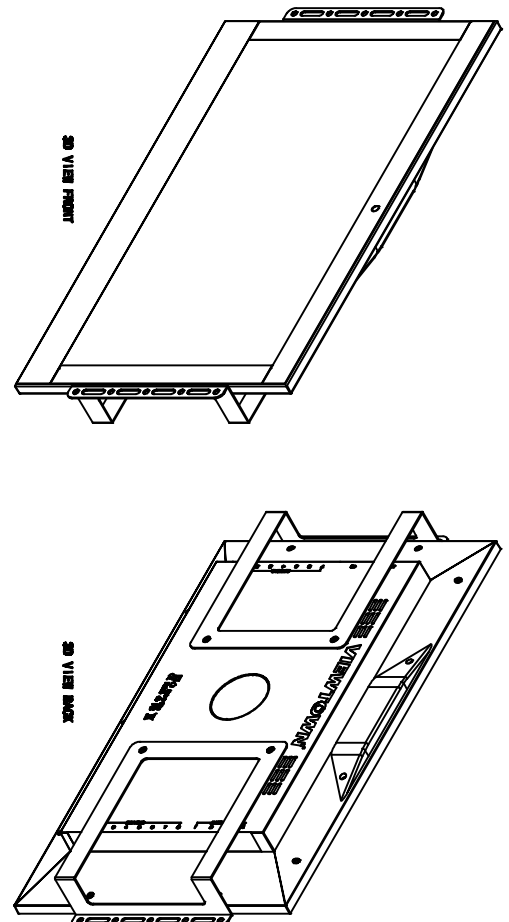
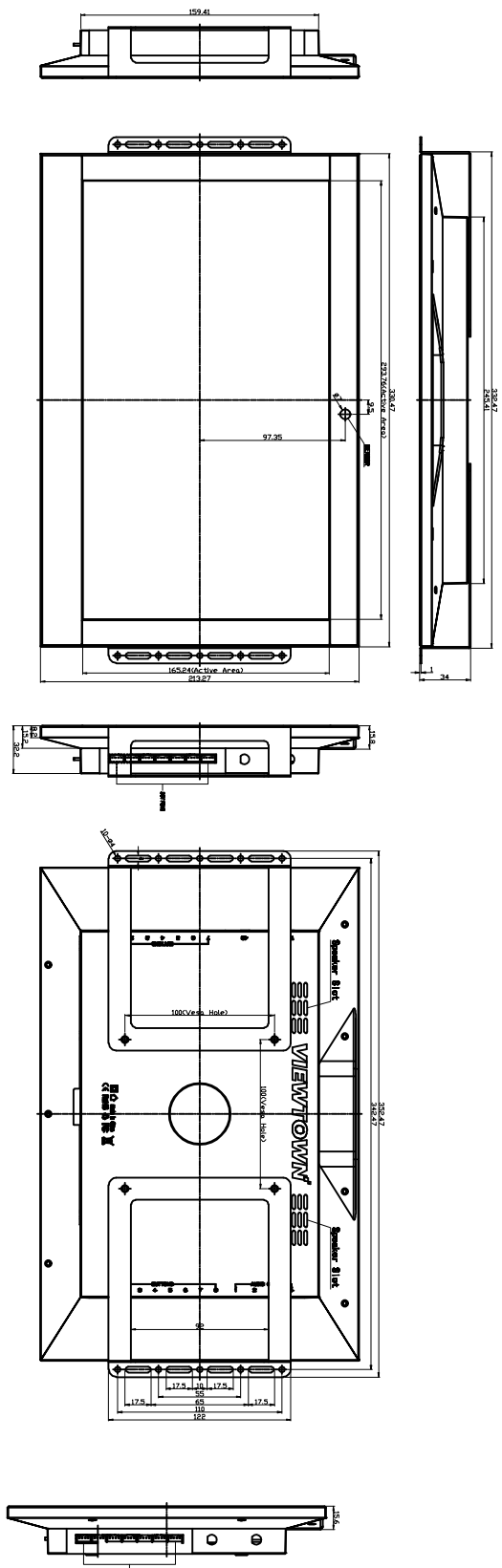


Grade	A	B	C	V
13.3	13.3	13.3	13.3	13.3
13.3	13.3	13.3	13.3	13.3
13.3	13.3	13.3	13.3	13.3
13.3	13.3	13.3	13.3	13.3
13.3	13.3	13.3	13.3	13.3
13.3	13.3	13.3	13.3	13.3
13.3	13.3	13.3	13.3	13.3
13.3	13.3	13.3	13.3	13.3
13.3	13.3	13.3	13.3	13.3
13.3	13.3	13.3	13.3	13.3



**NOTE:**  
1、This product is 13.3 inch advertising machine.

**KERCHIAN**  
Professional Innovation  
**Kerchan Technology Group Limited**

更改说明及标注 Description	ECN号 ECN No.	签名 Signed	日期 Date	版本号 Rev	单位 Unit	比例 Scale	图号 Drawing No.
设计 Designed By	日期 Date	20230911	第 1 页 共 1 页 Sheet 1 of 1	A/0	MM	1:1	SAD1330KH
审核 Checked By	日期 Date						物料编号 Material No.
批准 Approved By	日期 Date						XXXXXXXX

名称 Name:	13.3 inch advertising product drawing (YF-V56)
图形识别符号 Graphic Identification symbols	