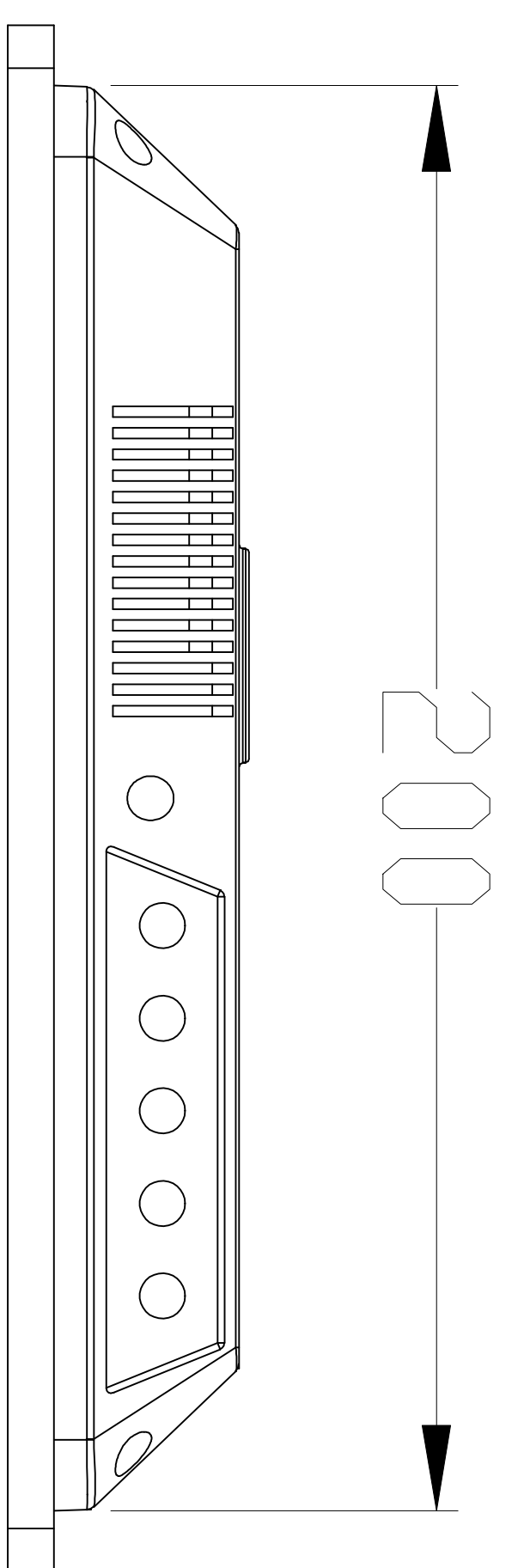
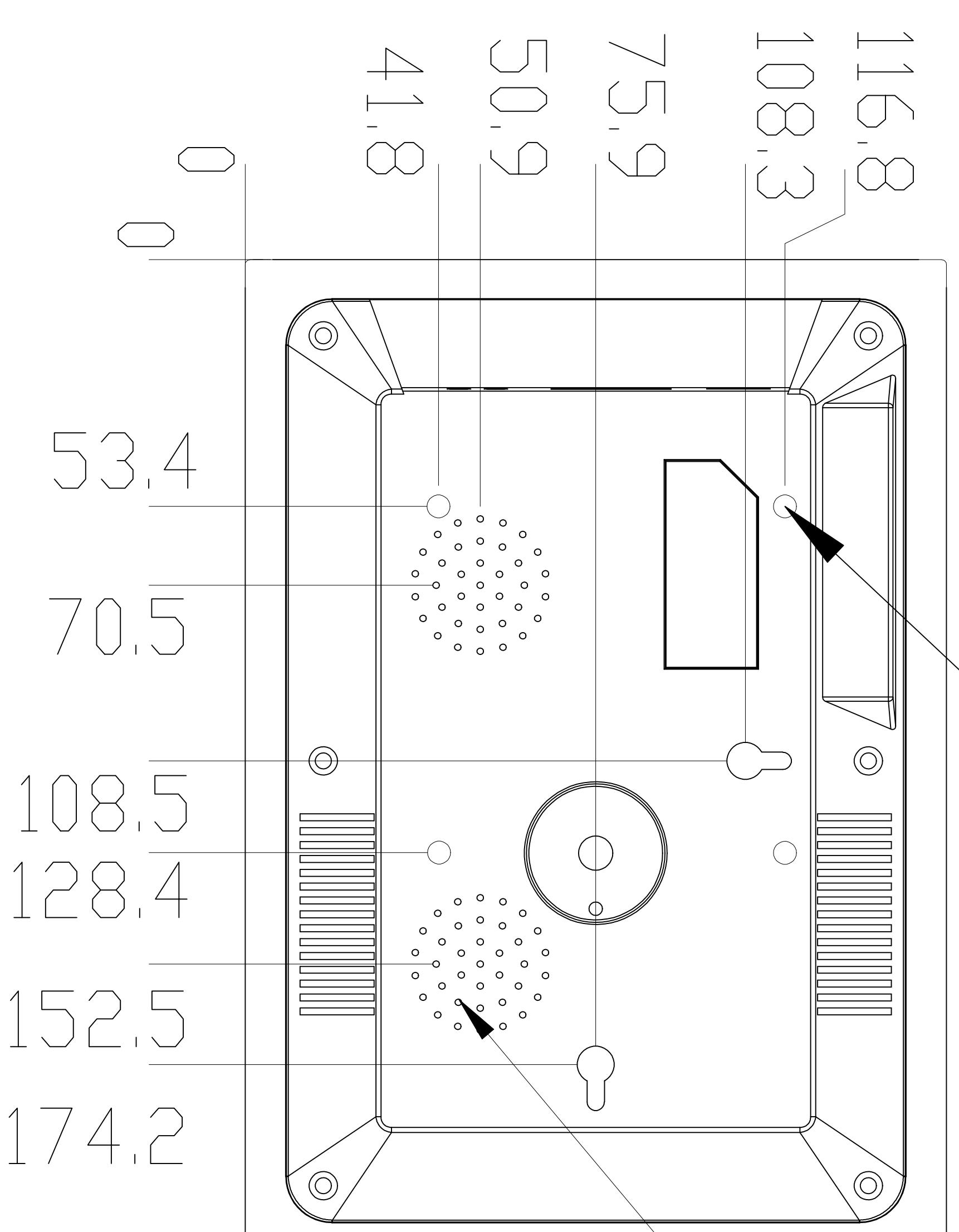
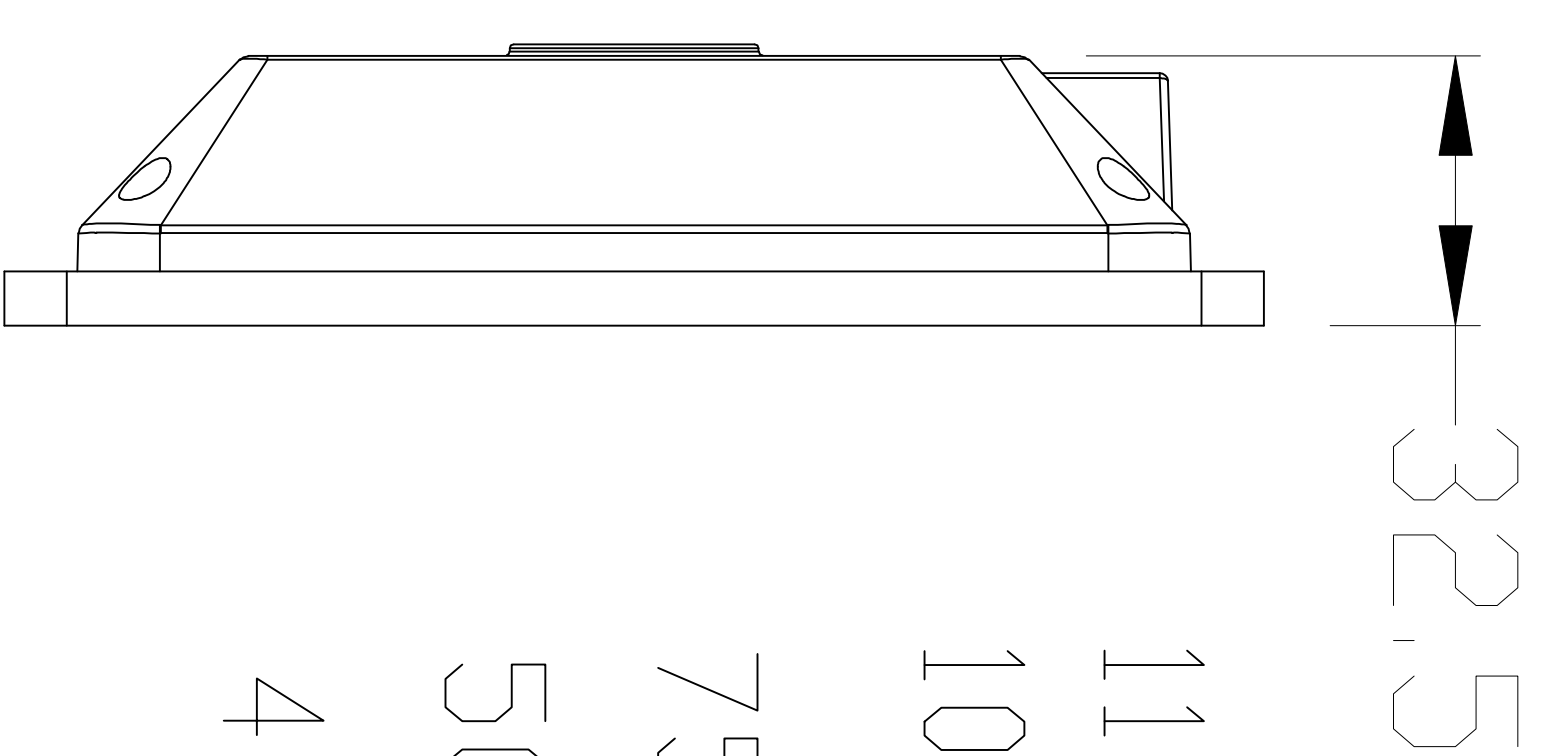


SHADED PART IS THE SCREEN DISPLAY AREA



SIZE RANGE	0-3	3-6	6-10	10-18	18-30	30-50	50-80	80-120	120-180	180-250	250-315	FRONT VIEW
TOLERANCES	±0.10	±0.12	±0.15	±0.18	±0.21	±0.25	±0.30	±0.35	±0.40	±0.46	±0.52	

SHEN ZHEN KERCHAN TECHNOLOGY CO., LTD			
MODEL	7 inch	SCALE	1: 1
ICON	DWG. NO. 4. 2	UNIT	mm
DATE	2014-06-06		
TOLERANCES UNLABELED ARE DONE ACCORDING TO LEVEL IT 12			