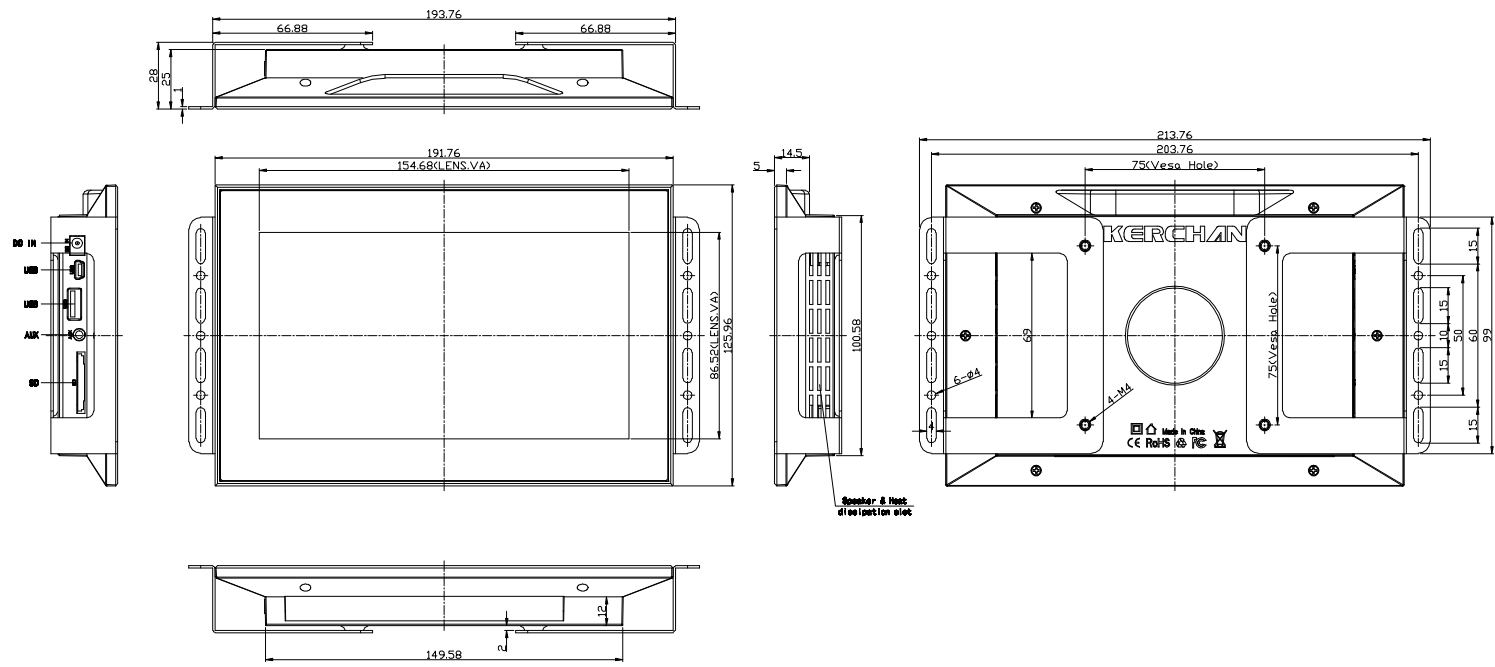
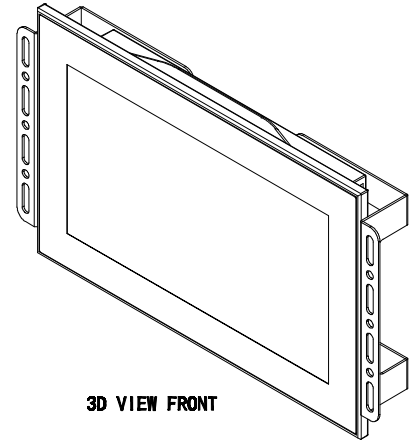


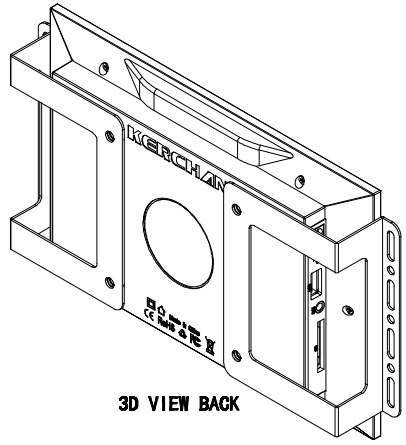
Size	Grade		
	A	B	✓ C
0-80	±0.05	±0.10	±0.15
>80-100	±0.10	±0.15	±0.20
>100-150	±0.15	±0.20	±0.30
>150-200	±0.20	±0.30	±0.40
>200-300	±0.25	±0.40	±0.50
>300-500	±0.30	±0.50	±0.60
>500以上	±0.50	±1.20	±3.0



Speaker & Heat dissipation wire



3D VIEW FRONT



3D VIEW BACK

NOTE:
1. This product is 7 inch open advertising machine.

KERCHAN
Professional Innovation
Kerchan Technology Group Limited

更改说明及标注 Description				版本号 Rev	单位 Unit	比例 Scale	图号 Drawing No.
设计 Designed By				ECN号 ECN No.	MM	1:1	SADO701KA-00
审核 Checked By				签名 Signed	第 1 页 共 1 页 Sheet 1 of 1		物料编码 Material No.
批准 Approved By				日期 Date	图形识别符号 Graphic identification symbols		名称 Name:
20200217				20200217		XXXXXX	
						7 inch open advertising product drawing (YF-006I)	